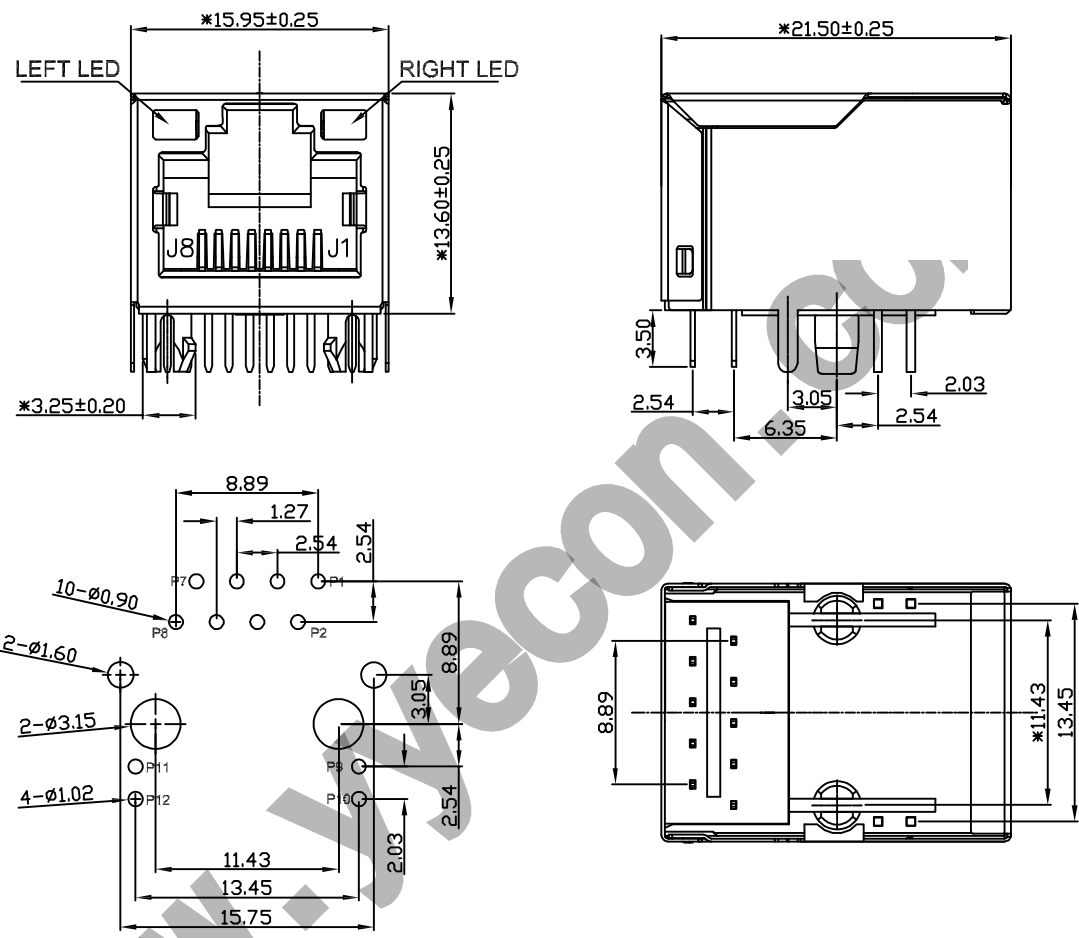
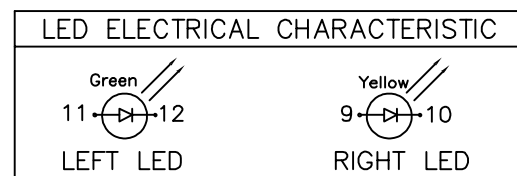


REV.	DESCRIPTION	DATE	CHANGER
A/0	原始版本	2019/07/23	



Metal Shell :Copper Alloy, Finish: 30u" Nickel
 Housing :Thermoplastic,PBT,UL 94V-0,Black
 Insert :Thermoplastic,PBT,UL 94V-0,Black
 Contact Terminal/phosphor Bronze
 30u" Gold on Contact Area, 100u" Tin on Solder,
 Both over 50u" Nickel Under-Plated
 Coil Base :Phenolic,PBT,UL 94V-0,Black
 Terminal/Copper Alloy T=0.35mm Thickness

Meets or exceeds IEEE 802.3 standard for 10/100 Base-TX
 350uH minimum OCL with 8mA Bias current
 Available with or without LEDs
 Minimum 1500Vrms isolation per IEEE802.3 requirement
 Operating temperature 0°C to +70°C
 Storage temperature -40°C to +85°C



Standard LED	Wavelength	Forward V (Min/Max)	Forward A	Type
Green	568nm	1.8V/2.8V	20mA	squareness
Yellow	585nm	1.8V/2.8V	20mA	squareness

Y RJ45 F R L A9 - 10P10C

- ①
- ②
- ③
- ④
- ⑤

- ① Product Type
- ② Female Socket
- ③ Right Angle Type
- ④ LED
- ⑤ Types-A9

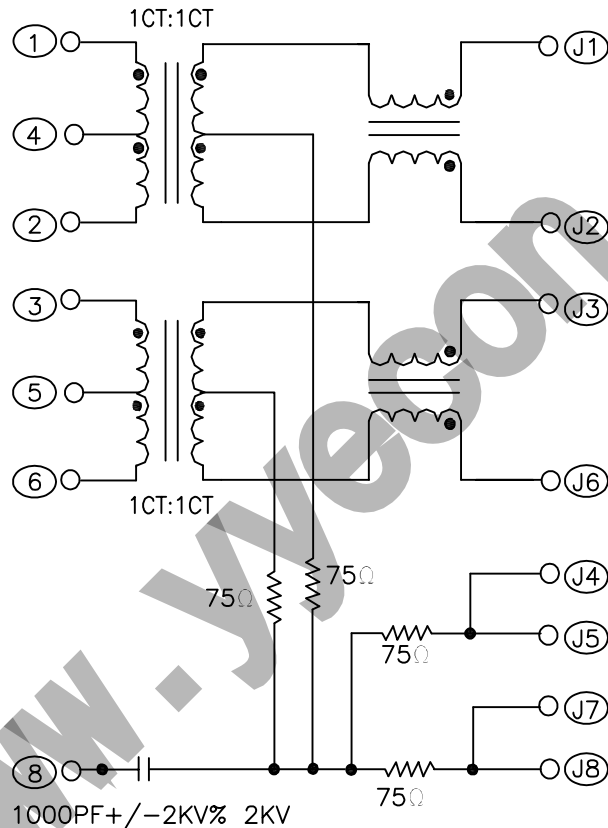
东莞市源越电子有限公司
 DongGuan YuanYue Electronic CO.,LTD.
 Web.:http://www.yyecon.com

公差: X ±0.30 XX ±0.20 XXX ±0.10 X* ±3° X*X* ±2°	制圖: 廖少波	日期: 2019.07.23	品名规格	
 单位: mm 比例:1:1 纸张: A4	确认:		RJ45 JACK 90° 8P8C 带灯左绿右黄 L:21.5 带屏蔽 (HRC1-1B71F09-3A1BA-1R)	
	核准:		料號: YRJ45FRLA9-8P8C	
			图号:	RJ45-0095

REV.	DESCRIPTION	DATE	CHANGER
A/0	原始版本	2019/07/23	

ELECTRICAL SPECIFICATIONS@25°C UNLESS OTHERWISE NOTED:

SCHEMATICS:



- 1.Turn Ratio(+/-2%):1CT:1CT
- 2.Inductance OCL:
350uH Min @100KHz 0.1V DC BIAS 8mA
- 3.Insertion Loss:
-1.0dB Max @1.0-100MHz
- 4.Return Loss:
-20dB Min @1-30MHz
-16dB Min @30-60MHz
-12dB Min @60-80MHz
- 5.Cross talk:
-40dB Min @1-30MHz
-35dB Min @30-80MHz
- 6.Common Mode Rejection:
-35dB Min @1-100MHz
-20dB Min @50-150MHz
- 7.HIPOT TEST:1500Vrms 1mA.Max



東莞市源越電子有限公司
DongGuan YuanYue Electronic CO.,LTD.
Web.:http://www.yyecon.com

公差: X ±0.30 XX ±0.20 XXX ±0.10 X* ±3° X*X* ±2°	制圖: 廖少波	日期: 2019.07.23	品名规格	
 单位: mm 比例:1:1 纸张: A4	确认:		RJ45 JACK 90° 8P8C 带灯左绿右黄 L:21.5 带屏蔽 (HRC1-1B71F09-3A1BA-1R)	
	核准:		料號: YRJ45FRLA9-8P8C	
			图号:	RJ45-0095