

REV.	DESCRIPTION	DATE	CHANGER
	原始版本	2016/7/18	

NOTES:

ELECTRICAL:

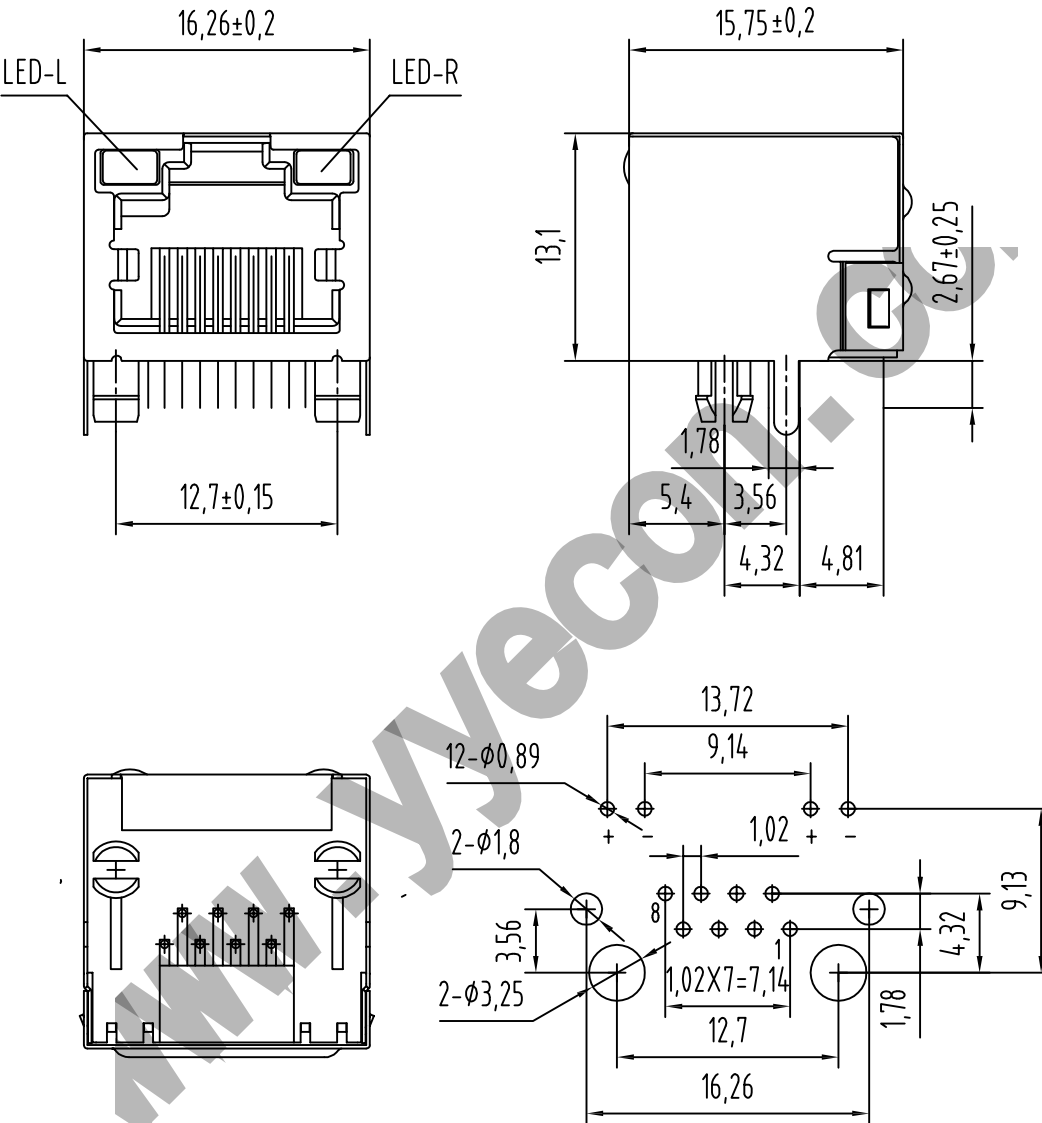
- VOLTAGE RATING : 125 VAC RMS.
- CURRENT RATING : 1.5 AMP.
- CONTACT RESISTANCE : 50 MILLIOHMS MAX.
- INSULATION RESISTANCE: 500 MEGOHMS MIN @ 500 VDC.
- DIELECTRIC STRENGTH : 500 VAC RMS 50Hz, 1MIN.

MECHANICAL:

- HOUSING MATERIAL : PBT+20%GF (UL94V-0).
- CONTACT MATERIAL : PHOSPHOR BRONZE $\phi 0.46\text{mm}$
- PLATING : GOLD PLATING OVER NICKEL.
- SHIELD: COPPER ALLOY(OR STEEL ALLOY) 0.20mm THICKNESS
- OPERATING LIFE : 750 CYCLES MIN.
- PCB RETENTION PRE-SOLDER : 1 LB MIN.
- PCB RETENTION POST-SOLDER: 10 LBS MIN.

ENVIRONMENTAL:

- STORAGE : -40°C TO $+85^{\circ}\text{C}$.
- OPERATION: 0°C TO $+70^{\circ}\text{C}$.
- WAVE SOLDERING TEMPERATURE: 230°C TO 250°C (5-10 SECONDS).
- ROHS COMPLIANT



PC Board Layout
Component Side Shown

Y RJ45 F R LA5 - 8P8C

- ① ② ③ ④ ⑤

- ① Product Type
 ② Female Socket
 ③ Right Angle Type
 ④ LED
 ⑤ Pin Type

YYE 东莞市源越电子有限公司 DongGuan YuanYue Electronic CO., LTD. Web. : http://www.yyecon.com			
公差: XX ±0.30 X.XX ±0.20 X.XXX ±0.10 X.* ±3° X.X* ±2°	制圖: <i>benjian</i> 确认: 审核: 核准:	日期: 2016/7/18	品名规格 RJ45 JACK 90° 屏蔽带灯无弹片 料號: YRJ45FRLA5-8P8C 图号: RJ45-0063
单位: mm 比例: 1:1 纸张: A4			