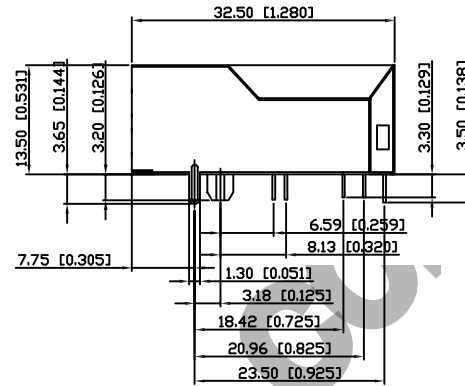
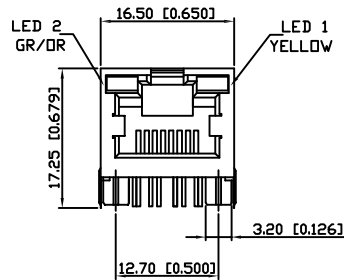


REV.	DESCRIPTION	DATE	CHANGER
A/0	原始版本	18/06/14	



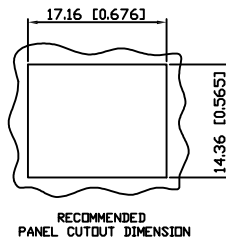
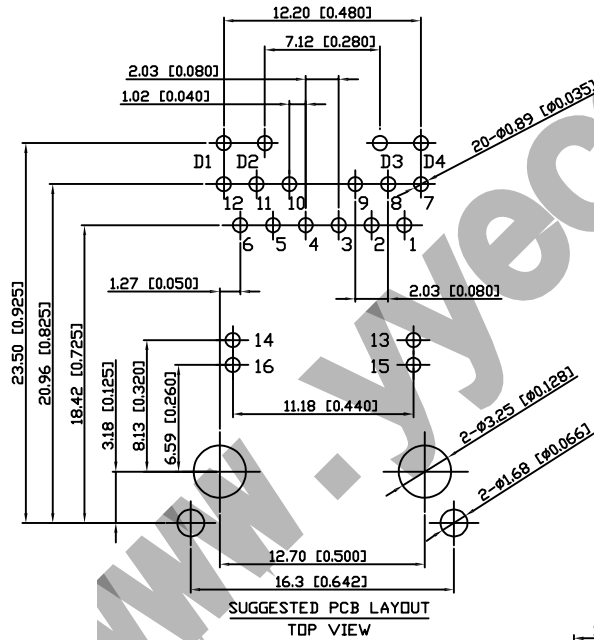
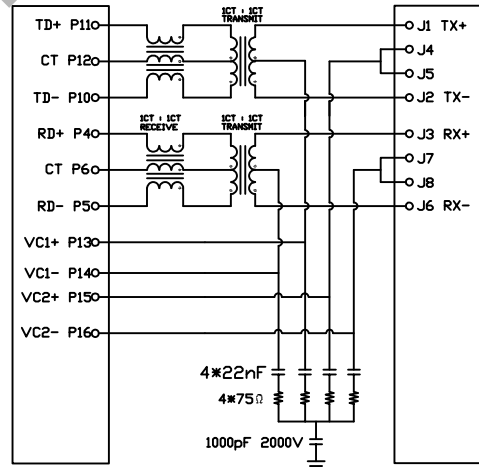
NOTES:

- MATERIAL:
HOUSING: HIGH TEMPERATURE PBT UL94V-0 BLACK
CONTACTS: T=0.35mm, PHOSPHOR BRONZE,
NICKEL 50 μ MIN UNDERPLATE ON ALL AREA,
TIN 80 μ MIN ON TERMINATION END,
6U GOLD ON CONTACT AREA.
SHIELD: T=0.20mm, NICKEL 50 μ MIN PLATING
- OPERATING TEMPERATURE : 0 $^{\circ}$ C~70 $^{\circ}$ C
STORAGE TEMPERATURE : -40 $^{\circ}$ C~85 $^{\circ}$ C
- CAVITY CONFORMS TO FCC RULES AND REGULATIONS PART 68, SUBPART F.

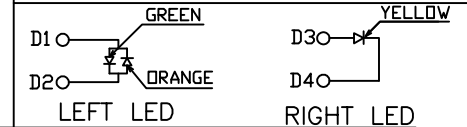
SCHMATIC:

CONNECTOR SOLDER SIDE

RJ45 CONTACT SIDE



LED ELECTRICAL CHARACTERISTIC



Standard LED	Wavelength	Forward V (Min/Max)	Forward A	Type
Green	568nm	1.8V/2.8V	20mA	squareness
Yellow	585nm	1.8V/2.8V	20mA	squareness
Orange	610nm	1.8V/2.8V	20mA	squareness

YYE 东莞市源越电子有限公司
DongGuan YuanYue Electronic CO., LTD.
Web.: <http://www.yyecon.com>

公差: XX ± 0.30 XXX ± 0.20 XXXX ± 0.10 X* $\pm 3^{\circ}$ X.X* $\pm 2^{\circ}$	制圖: 廖少波	日期: 2018.06.14	品名规格	
單位: mm 比例: 1:1 纸张: A4	确认:		RJ45 Connector With Transformer 100Base Tab-UP 1*1 Port with LED	
	核准:		料號: YRJ45FRL02-8P8C	
			图号:	RJ45-0072