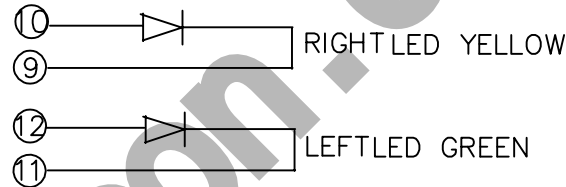
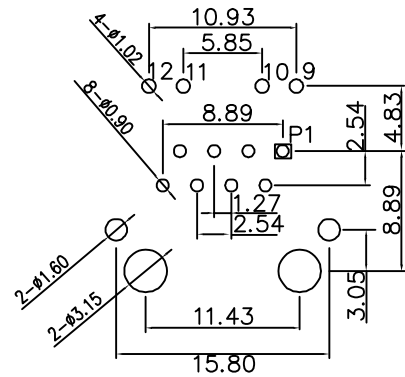
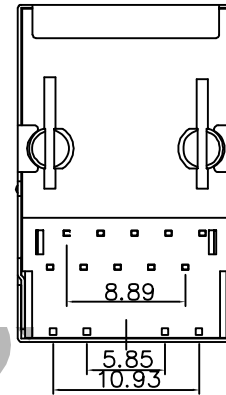
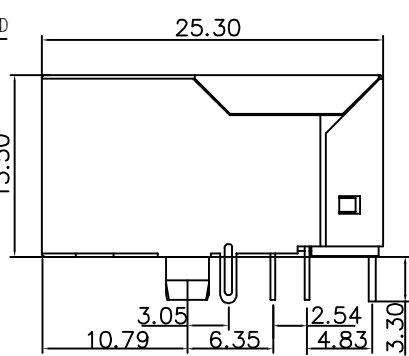
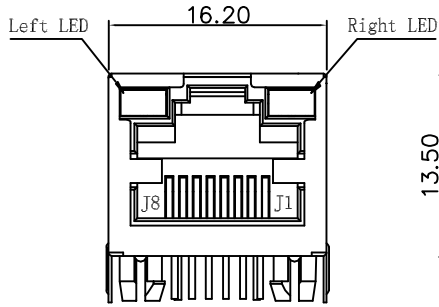


REV.	DESCRIPTION	DATE	CHANGER
	原始版本	14/04/09	



Connect Material:

Housing: Thermoplastic, PBT, UL 94V-0, Black

Contact/Shield: Cooper alloy

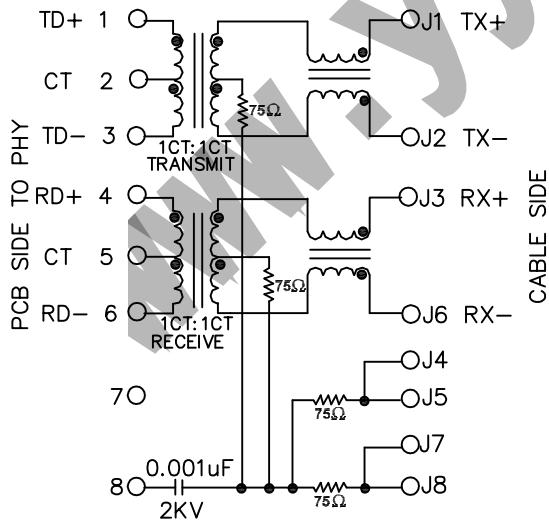
Shield Plating: Nickel

Contact Plating: Selective gold 6u" Min

- Turn Ratio(+/-2%):
TX=1CT:1CT RX=1CT:1CT
- Inductance OCL:
350uH Min @100KHz/0.1V,8mA DC Bias
- Insertion Loss:
-1.0dB Max @1.0-100MHz
- Return Loss:
-20dB Min @1-10MHz
-16dB Min @10-30MHz
-12dB Min @30-60MHz
-10dB Min @60-100MHz
- Cross talk:
-40dB Min @1-30MHz
-35dB Min @30-60MHz
-30dB Min @60-100MHz
- Common Mode Rejection:
-30dB Min @1-50MHz
-20dB Min @50-150MHz
- HIPOT TEST: 1500V AC 1mA 6S
- OPERATING TEMPERATURE RANGE: 0-70°C

P.C.B RECOMMENDED HOLE LAYOUT SEEN FROM COMPONENT SIDE.
ALL CENTERLINE DIMENSIONS ARE BASIC

Schematics



ELECTRICAL SPECIFICATIONS @ 25°C unless otherwise noted:

YRJ45FRL0-8P8C

- ① ②③④ ⑤

- Product Type
- Female Socket
- Types:R/A
- LX:LED lamp
- 8P8C:Pin Type

東莞市源越電子有限公司 呈翰電子有限公司			
公差: XX ±0.30 XXX ±0.20 XXX ±0.10 X* ±3° X* ±2°	制圖: <i>wang</i>	日期: 2014.04.09	品名規格
	審核:	日期:	RJ45 Modular Jack 1x1Tab-UP 100BASE
	核准:	日期:	料號: YRJ45FRL0-8P8C
單位: mm 比例:1:1 紙張: A4			圖号: RJ45-0011